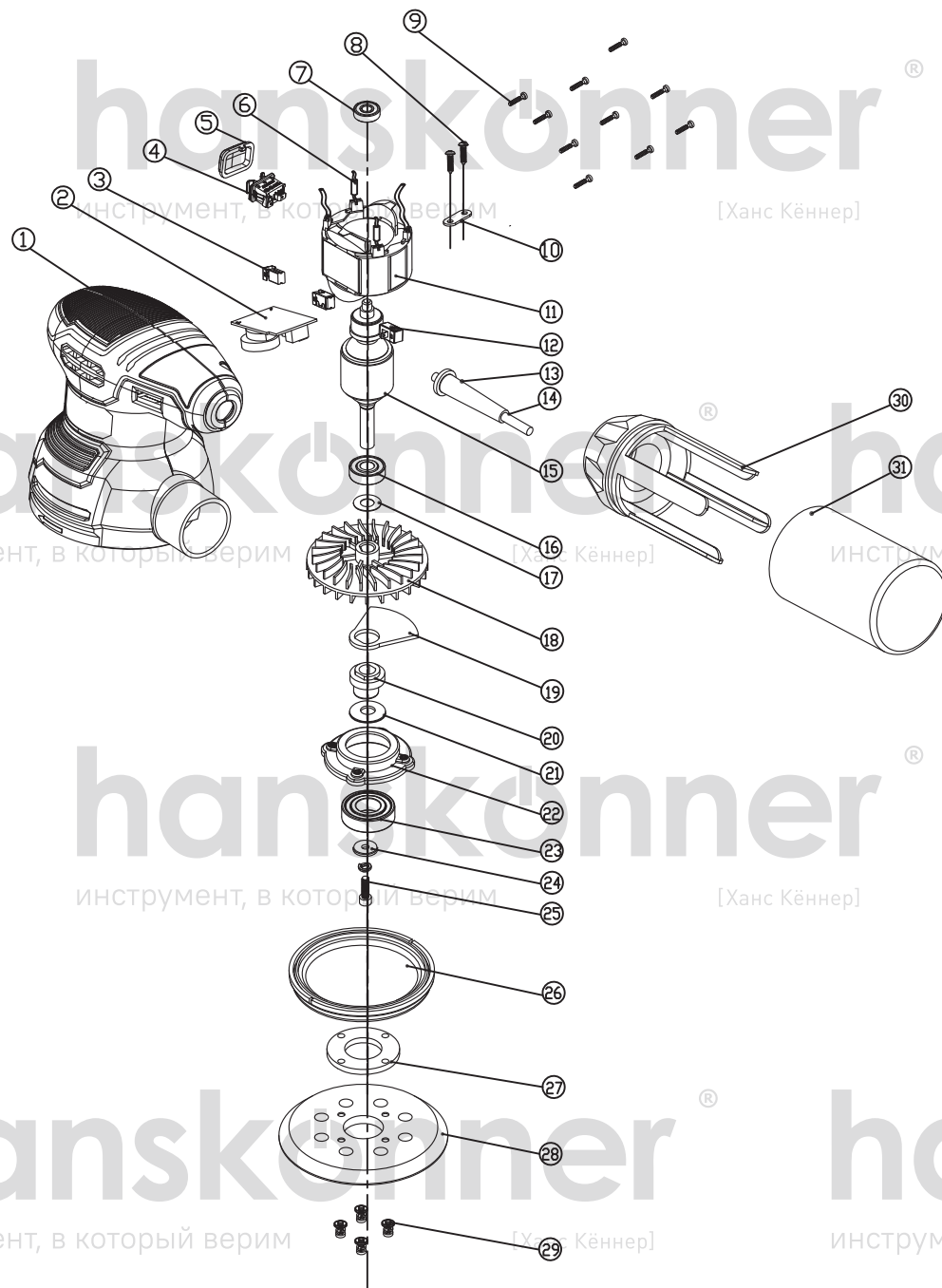


HOS8175MS



NO.	DESCRIPTION
1	HOUSING
2	CIRCUIT BOARD
3	CARBON BRUSH
4	SWITCH
5	SWITCH COVER
6	INDUCTANCE
7	BEARING 607 2RS
8	TAPPING SCREW ST3.9X14
9	TAPPING SCREW ST3.9X19
10	IRON PLATE
11	STATOR
12	COPPER BRUSH HOLDER
13	CORD GUARD
14	CORD
15	ROTOR
16	BEARING 6000 2RS
17	WASHER
18	FAN
19	COUNTER BALANCE
20	ECCENTRIC SEAT
21	DUSTPROOF WASHER
22	BEARING BLOCK
23	BEARING 6000 RS
24	WASHER
25	HEXAGON SCREW M5X16
26	BRAKE RING
27	LARGE WASHER
28	RUBBER BACKING PAD
29	SPECIAL SCREW M5X14
30	DUST COLLECTING BAG BRACKET
31	DUST BAG

HOS8175MS-EX-RU241023

[Ханс Кённер]